

STREAMLINE • SUSPENSION

REF. 9270.60

WEIGHT

Net Weight: 16kg | 35.3 lbs
 Gross Weight: 35kg | 77.2 lbs

BULBS

Quantity: 6
 Type: G9
 Wattage: 40W (max)

MATERIALS

Body: Brass

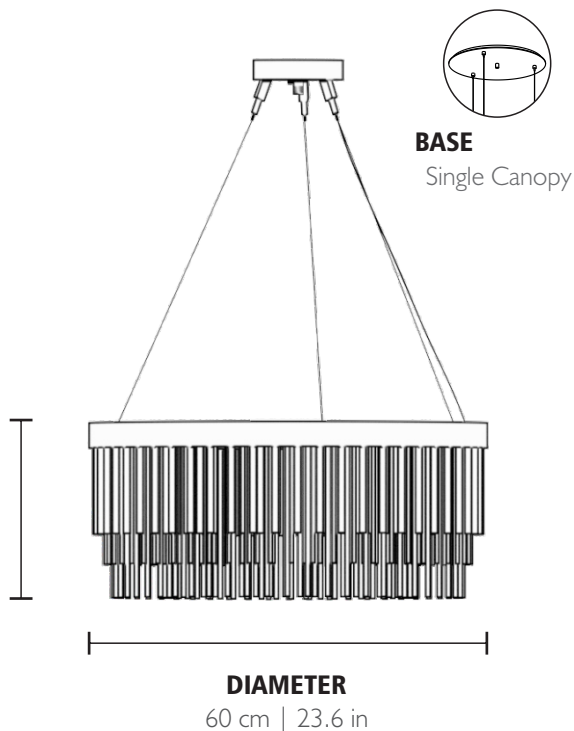
PACKING (approx.)

Dimensions: 68 x 68 x 43 cm
 26.8 x 26.8 x 16.9 in

Volume: 0.20 m³ | 7.02 ft³

HEIGHT

26 cm | 10.2 in



CE - Products manufactured according the European norm of security EN 60 598-1.

VF - Products adjusted for instalation in surfaces normally inflammable.

□ - Products of class II. The electric isolation is double or reinforced.

⚡ - Products with the possibility of instalation of low-energy consumption bulbs.

PRODUCT FINISHES & COSTUMIZATION OPTIONS



MORE FINISHES AVAILABLE HERE:
[CLICK HERE](#)