

SKYLAR ● WALL LIGHT
 REF. 9871.40

WEIGHT

Net Weight: 9.5kg | 20.9 lbs
 Gross Weight: 12.5kg | 27.6 lbs

BULBS

Quantity: 6
 Type: G9
 Wattage: 40W (max)

MATERIALS

Body: Brass
 Details: Glass

GLASS

Type: Clear

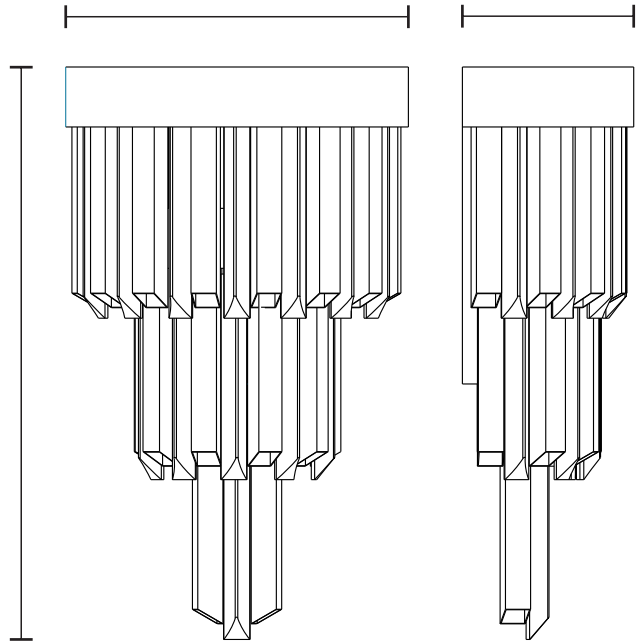
PACKING (approx.)

Dimensions: 74 x 74 x 38 cm
 29.1 x 29.1 x 15.0 in
 Volume: 0.21 m³ | 7.35 ft³

HEIGHT
 65 cm | 25.6 in

WIDTH
 40 cm | 15.7 in

DEPTH
 22 cm | 8.7 in




- ☐ - Products manufactured according the European norm of security EN 60 598-1.
- ⚠ - Products adjusted for installation in surfaces normally inflammable.
- ☐ - Products of class II. The electric isolation is double or reinforced.
- ⚡ - Products with the possibility of installation of low-energy consumption bulbs.

PRODUCT FINISHES & COSTUMIZATION OPTIONS



Gold (24 Carat)

○ ————— ● BODY: 

Clear

○ ————— ● GLASS: 

MORE FINISHES AVAILABLE HERE:
[CLICK HERE](#) 