

SKYLAR • FLOOR LAMP

REF. 9872.40

WEIGHT

Net Weight: 35kg | 77.2 lbs
 Gross Weight: 50kg | 110.2 lbs

BULBS

Quantity: 6
 Type: G9
 Wattage: 40W (max)

MATERIALS

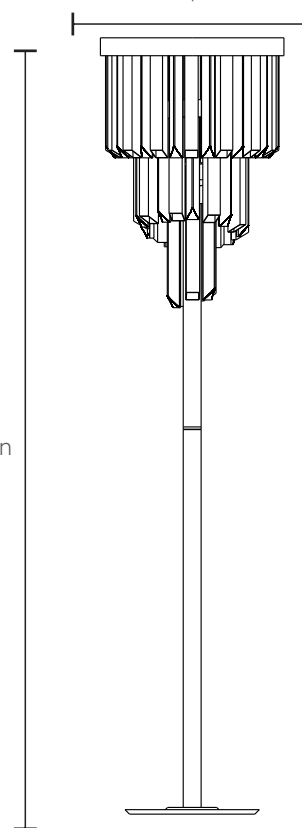
Body: Brass
 Details: Glass

PACKING (approx.)

Dimensions: 179 x 49 x 59 cm
 70.5 x 19.3 x 23.2 in
 Volume: 0.52 m³ | 18.27 ft³

HEIGHT
 171 cm | 67.3 in

DIAMETER
 40 cm | 15.7 in



- ☐ - Products manufactured according the European norm of security EN 60 598-1.
- ⚠ - Products adjusted for installation in surfaces normally inflammable.
- ☐ - Products of class II. The electric isolation is double or reinforced.
- ⚡ - Products with the possibility of installation of low-energy consumption bulbs.

PRODUCT FINISHES & COSTUMIZATION OPTIONS

