

**ROMA • MIRRORS**

REF. ROMA.MIR

**WEIGHT**

Net Weight: 45kg | 99.2 lbs  
 Gross Weight: 70kg | 154.3 lbs

**MATERIALS**

Body: Brass  
 Details: Glass

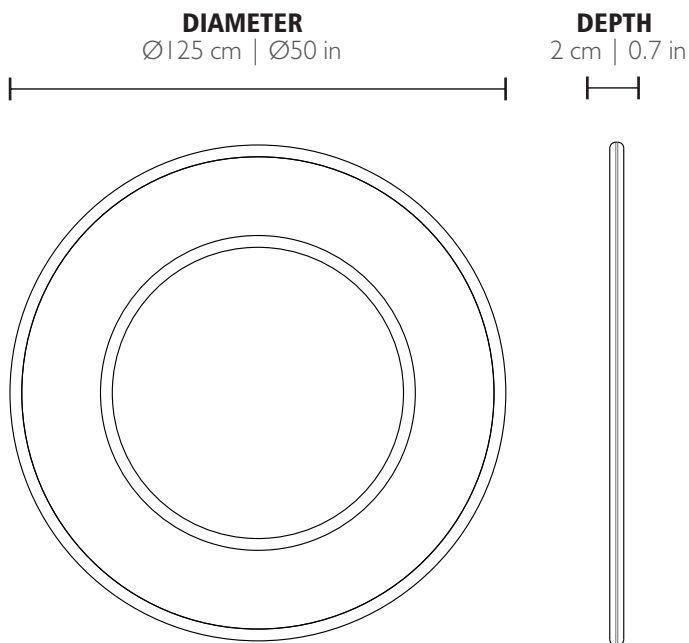
**MIRROR**

Options: Clear / Smoked / Bronze / Aged

**PACKING** (approx.)

Dimensions: 133 x 133 x 27 cm  
 52.4 x 52.4 x 10.6 in

Volume: 0.48 m<sup>3</sup> | 16.87 ft<sup>3</sup>



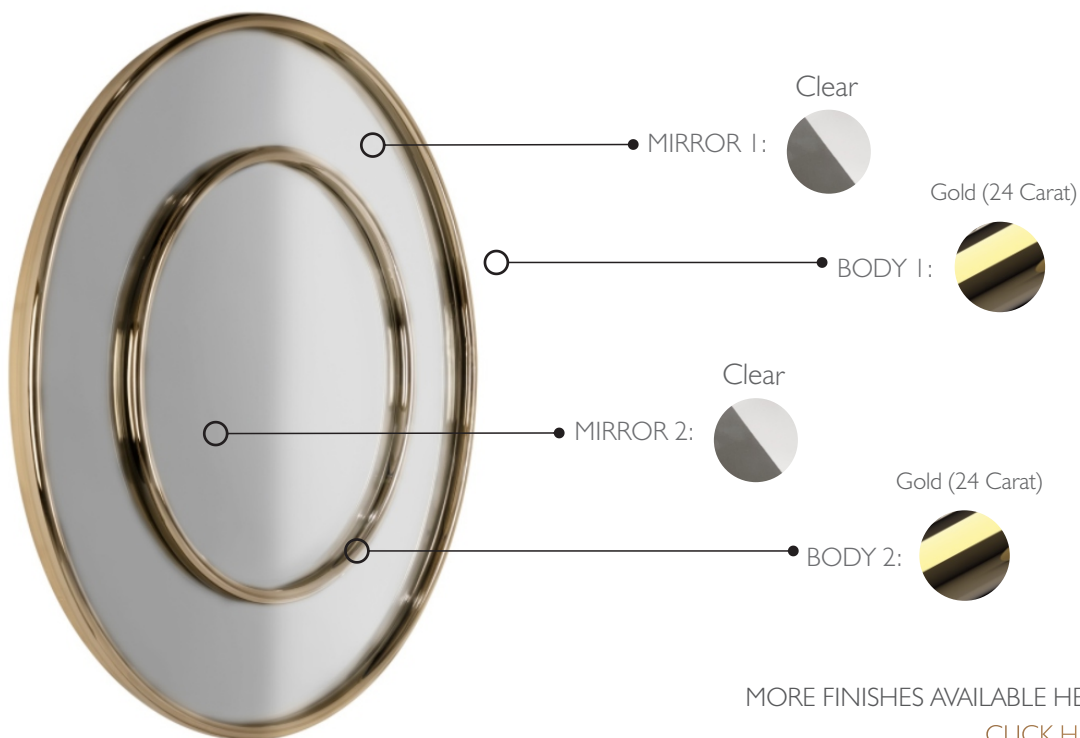
CE - Products manufactured according the European norm of security EN 60 598-1.

F - Products adjusted for instalation in surfaces normally inflammable.

□ - Products of class II. The electric isolation is double or reinforced.

ES - Products with the possibility of instalation of low-energy consumption bulbs.

**PRODUCT FINISHES & COSTUMIZATION OPTIONS**



MORE FINISHES AVAILABLE HERE:  
[CLICK HERE](#)