

ROYAL • SUSPENSION

REF. 9167.100

WEIGHT

Net Weight: 40kg | 88.2 lbs
 Gross Weight: 70kg | 154.3 lbs

BULBS

Quantity: 24
 Type: G9
 Wattage: 40W (max)

MATERIALS

Body: Brass
 Details: Glass

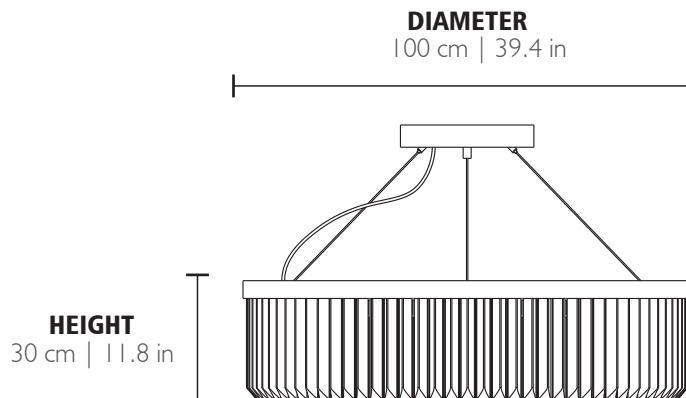
GLASS

Type: Clear

PACKING (approx.)

Dimensions: 108 x 108 x 59 cm
 42.5 x 42.5 x 23.2 in

Volume: 0.69 m³ | 24.30 ft³



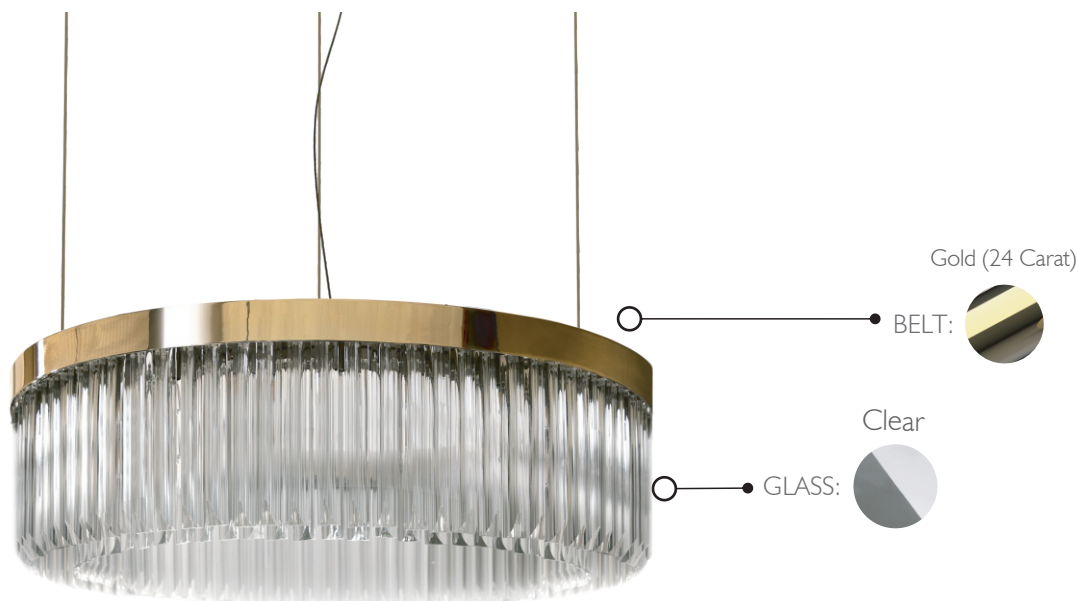
CE - Products manufactured according the European norm of security EN 60 598-1.

F - Products adjusted for instalation in surfaces normally inflammable.

□ - Products of class II. The electric isolation is double or reinforced.

ES - Products with the possibility of instalation of low-energy consumption bulbs.

PRODUCT FINISHES & COSTUMIZATION OPTIONS



MORE FINISHES AVAILABLE HERE:

[CLICK HERE](#) 