

ROYAL • SUSPENSION

REF. 9167.80

WEIGHT

Net Weight: 36kg | 80 lbs

Gross Weight: 65kg | 143 lbs

BULBS

Quantity: 18

Type: G9

Wattage: 28W (max)

MATERIALS

Body: Brass

Details: Glass

GLASS

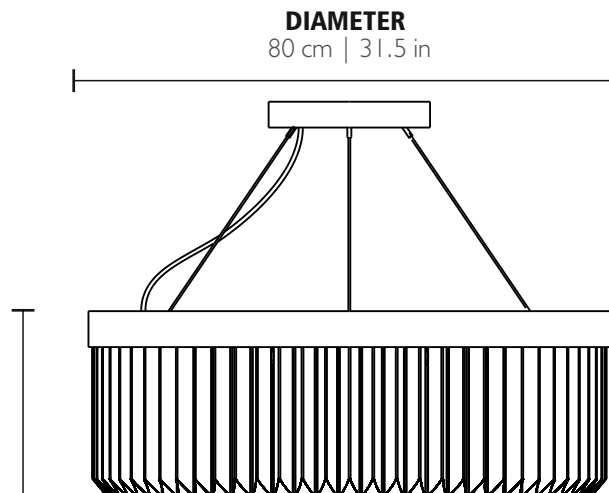
Type: Clear

PACKING (approx.)

Dimensions: 83 x 83 x 49 cm

32.6 x 32.6 x 19.3 in

Volume: 0.40 m³ | 14.1 ft³



☐ - Products manufactured according the European norm of security EN 60 598-1.

⚠ - Products adjusted for instalation in surfaces normally inflammable.

☐ - Products of class II. The electric isolation is double or reinforced.

⚡ - Products with the possibility of instalation of low-energy consumption bulbs.

PRODUCT FINISHES & COSTUMIZATION OPTIONS



MORE FINISHES AVAILABLE HERE:

[CLICK HERE](#)