

## METIS • LINEAR SUSPENSION

REF. 9640.3

### WEIGHT

Net Weight: 10.6kg | 23.4 lbs  
 Gross Weight: 21.2kg | 46.7 lbs

### BULBS

Quantity: 24  
 Type: G9  
 Wattage: 40W (max)

### MATERIALS

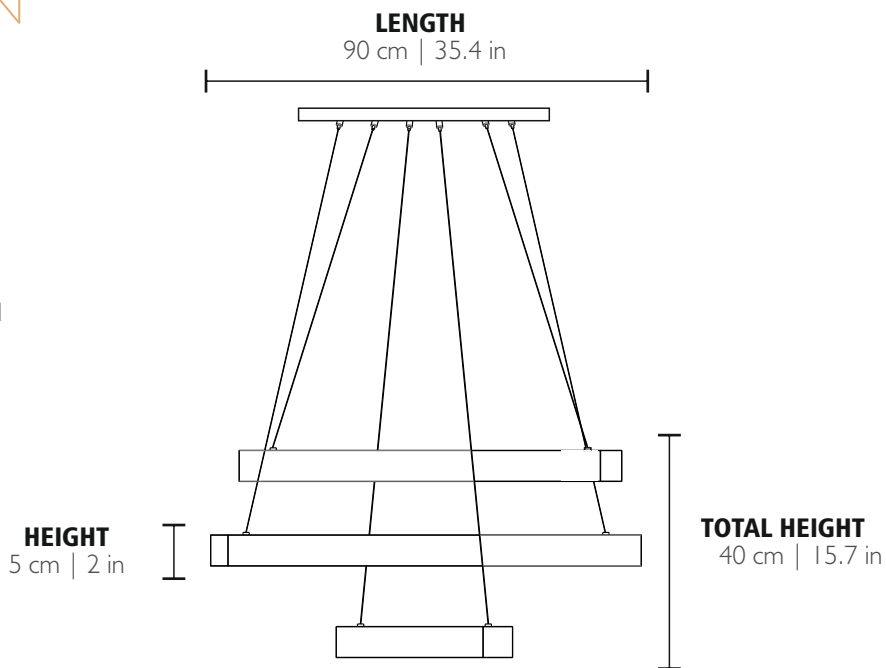
Body: Brass  
 Details: Crystal

### CRYSTAL

Type: Clear  
 Other types: Per request

### PACKING (approx.)

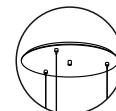
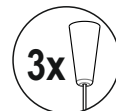
Dimensions: 91.7 x 36.7 x 16.7 cm  
 36.1 x 14.4 x 6.6 in  
 Volume: 0.06 m<sup>3</sup> | 1.98 ft<sup>3</sup>



- CE - Products manufactured according the European norm of security EN 60 598-1.
- VF - Products adjusted for instalation in surfaces normally inflammable.
- - Products of class II. The electric isolation is double or reinforced.
- ES - Products with the possibility of instalation of low-energy consumption bulbs.

### BASE

Options: Multiple Canopys | Single Canopy



## PRODUCT FINISHES & COSTUMIZATION OPTIONS

