

METIS • SUSPENSION

REF. 9640.100

WEIGHT

Net Weight: 15kg | 33.1 lbs
 Gross Weight: 28kg | 61.7 lbs

BULBS

Quantity: 24
 Type: G9
 Wattage: 40W (max)

MATERIALS

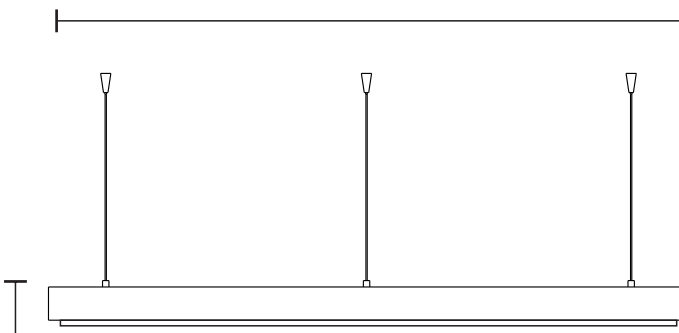
Body: Brass
 Details: Crystal

CRYSTAL

Type: Clear
 Other types: Per request

HEIGHT
 5 cm | 2 in

DIAMETER
 100 cm | 39.4 in



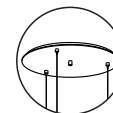
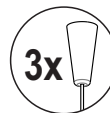
PACKING (approx.)

Dimensions: 107 x 107 x 30 cm
 42.1 x 42.1 x 11.8 in

Volume: 0.34 m³ | 12.13 ft³

BASE

Options: Multiple Canopys | Single Canopy



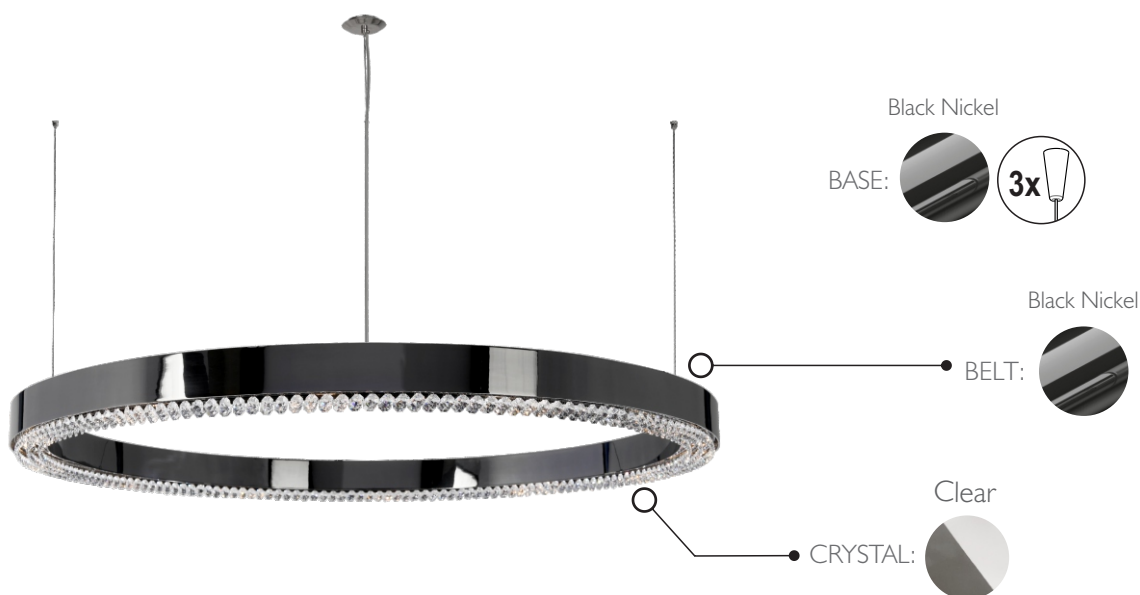
CE - Products manufactured according the European norm of security EN 60 598-1.

F - Products adjusted for instalation in surfaces normally inflammable.

□ - Products of class II. The electric isolation is double or reinforced.

ES - Products with the possibility of instalation of low-energy consumption bulbs.

PRODUCT FINISHES & COSTUMIZATION OPTIONS



MORE FINISHES AVAILABLE HERE:
[CLICK HERE](#)