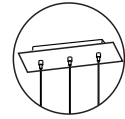


METIER • SUSPENSION
REF. 9590.1

BASE

Options: Single Canopy



WEIGHT

Net Weight: 4kg | 8.8 lbs
Gross Weight: 8kg | 17.6 lbs

BULBS

Quantity: 2
Type: G9
Wattage: 40W (max)

MATERIALS

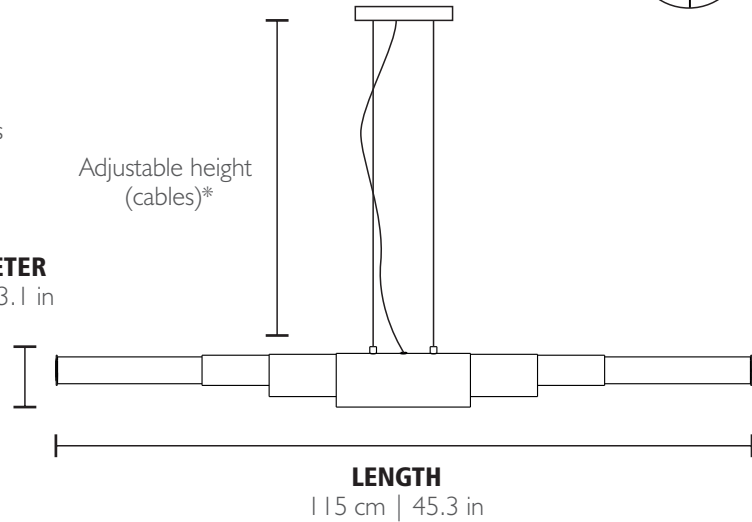
Body: Brass
Details: Glass

GLASS

Type: Clear

PACKING (approx.)

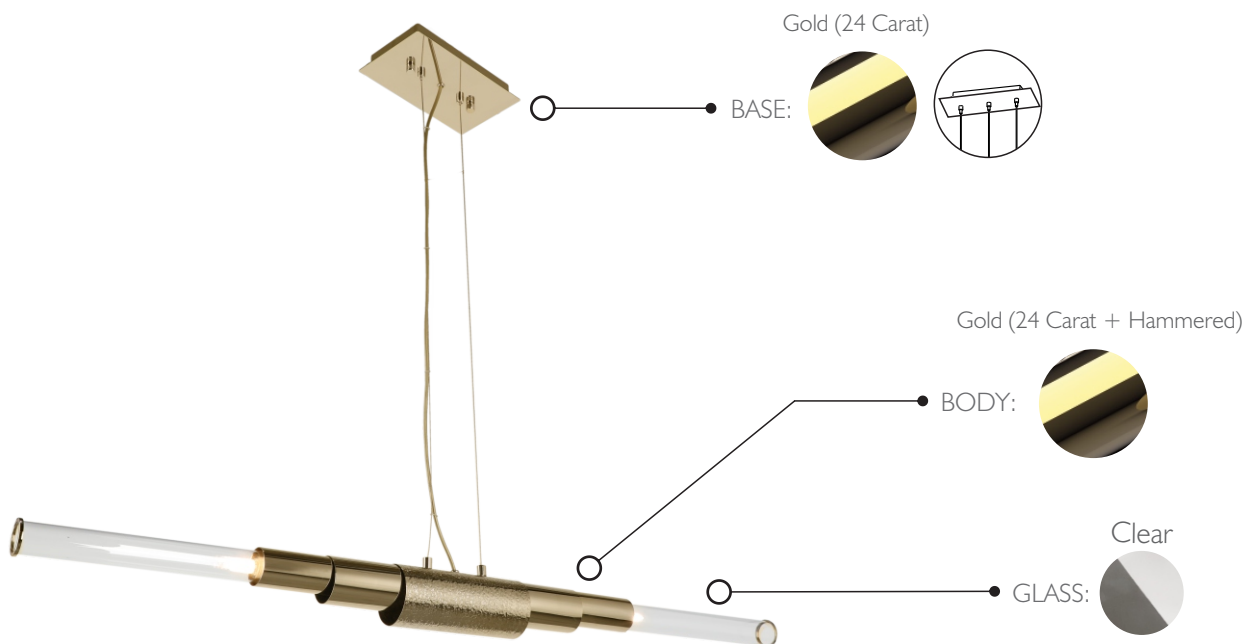
Dimensions: 71 x 26 x 26 cm
28.0 x 10.2 x 10.2 in
Volume: 0.05 m³ | 1.69 ft³



- CE - Products manufactured according the European norm of security EN 60 598-1.
- VF - Products adjusted for instalation in surfaces normally inflammable.
- - Products of class II. The electric isolation is double or reinforced.
- ES - Products with the possibility of instalation of low-energy consumption bulbs.

*Standard cable length: 2m.

PRODUCT FINISHES & COSTUMIZATION OPTIONS



MORE FINISHES AVAILABLE HERE:

[CLICK HERE](#) 