

HARP ● SIDE TABLE
REF. HARP.ST

WEIGHT

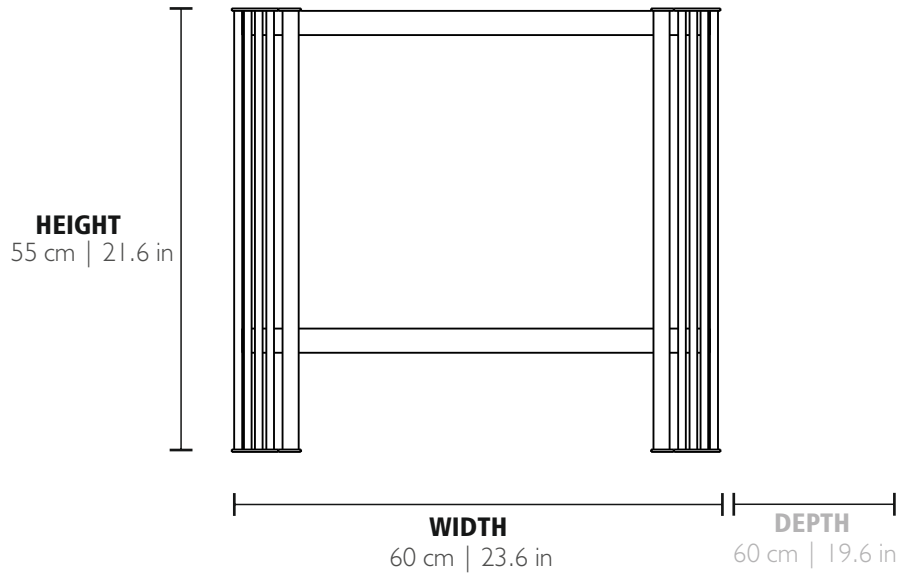
Net Weight: Per Request
Gross Weight: Per Request

MATERIALS

Table Top: Glass
Body: Brass
Details: Brass
Marble: Marble

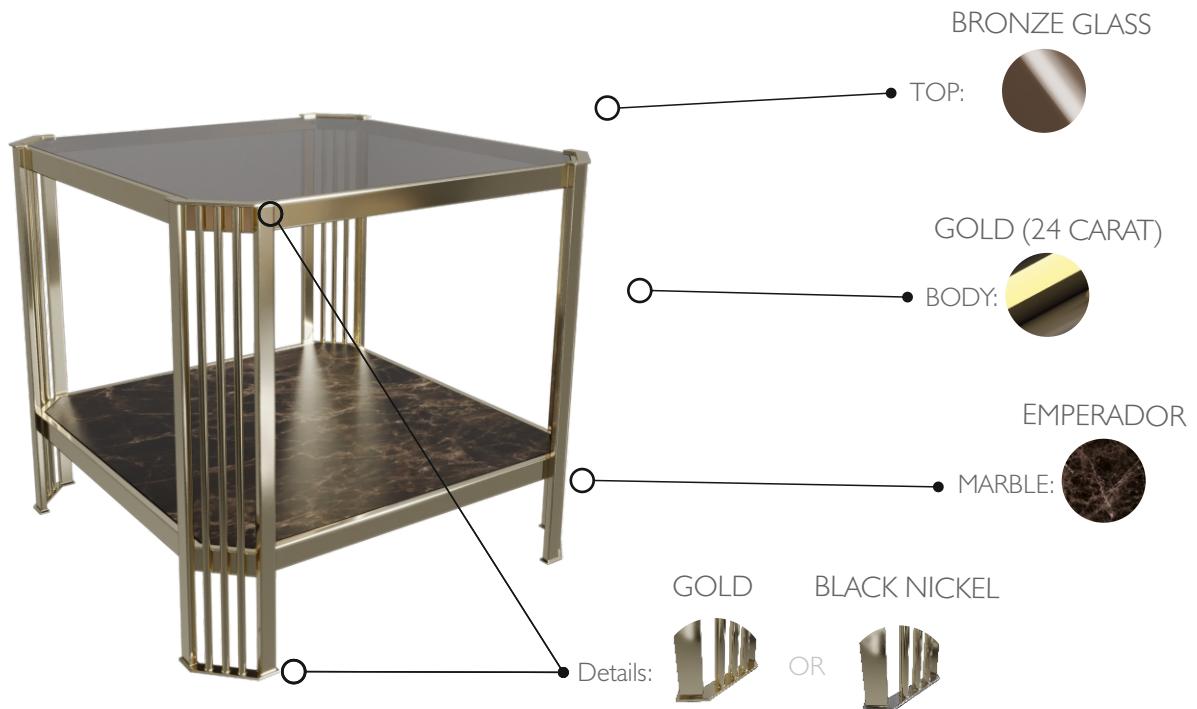
PACKING (approx.)

Dimensions: 65 x 65 x 60 cm
25.5 x 25.5 x 23.6 in
Volume: 0.56 m³



CE - Products manufactured according the European norm of security EN 60 598-1.

PRODUCT FINISHES & COSTUMIZATION OPTIONS



MORE FINISHES AVAILABLE HERE:

[CLICK HERE](#) 