

**HALO • WALL LIGHT**  
REF. 9601.2.XL

**WEIGHT**

Net Weight: 8 kg | 17.6 lbs  
Gross Weight: 10 kg | 22 lbs

**BULBS**

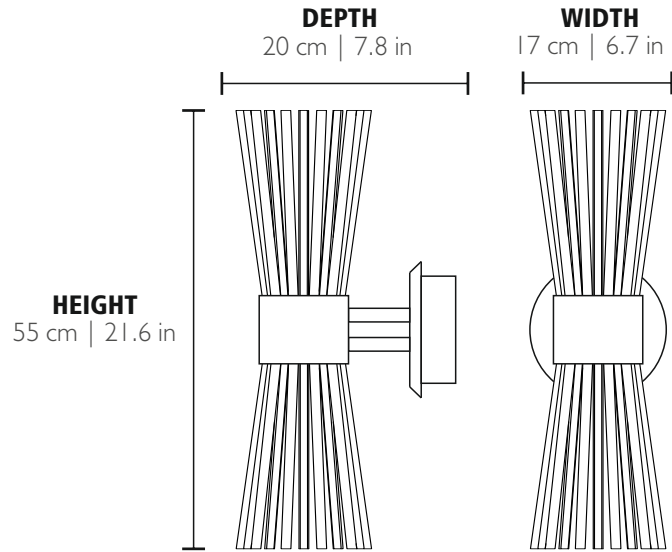
Quantity: 2  
Type: G9  
Wattage: 40W (max)

**MATERIALS**

Body: Brass

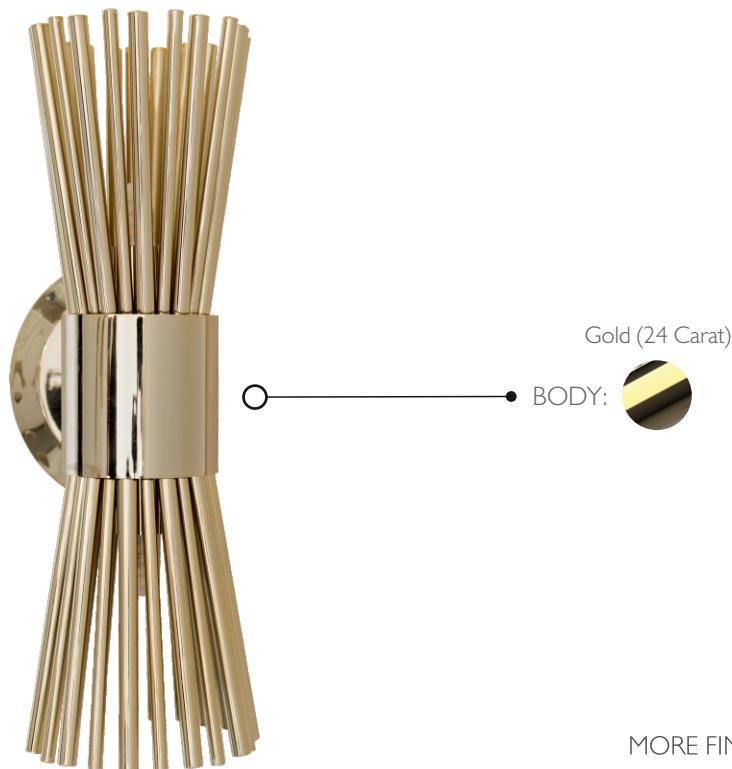
**PACKING** (approx.)

Dimensions: 71 x 26 x 26 cm  
28 x 10.2 x 10.2 in  
Volume: 0.04 m<sup>3</sup>



- CE - Products manufactured according the European norm of security EN 60 598-1.
- ▽ - Products adjusted for instalation in surfaces normally inflammable.
- - Products of class II. The electric isolation is double or reinforced.
- ES - Products with the possibility of instalation of low-energy consuption bulbs.

PRODUCT FINISHES & COSTUMIZATION OPTIONS



MORE FINISHES AVAILABLE HERE:

[CLICK HERE](#) 