

## GOLDEN EYE • MIRRORS

REF. GOLDEN EYE

### WEIGHT

Net Weight: 30kg | 66.1 lbs  
 Gross Weight: 55kg | 121.3 lbs

### MATERIALS

Body: Brass  
 Details: Glass

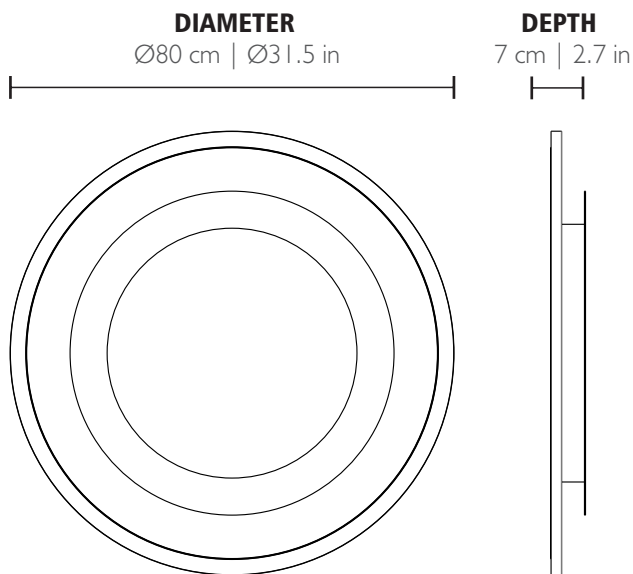
### MIRROR

Options: Clear / Smoked / Bronze / Aged

### PACKING (approx.)

Dimensions: 95 x 95 x 32 cm  
 37.4 x 37.4 x 12.6 in

Volume: 0.29 m<sup>3</sup> | 10.20 ft<sup>3</sup>



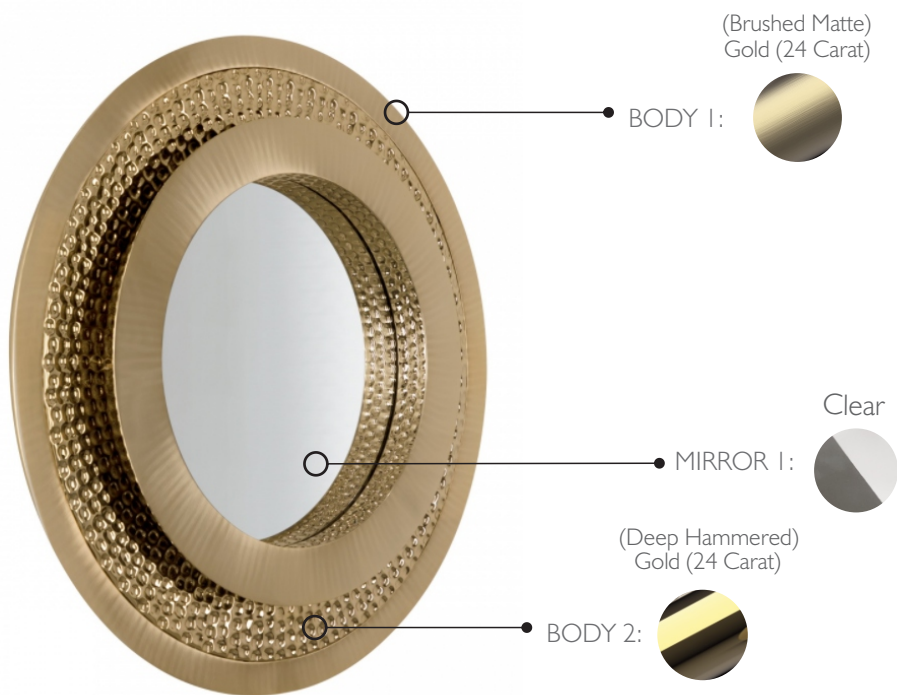
☑ - Products manufactured according the European norm of security EN 60 598-1.

⚠ - Products adjusted for instalation in surfaces normally inflammable.

☐ - Products of class II. The electric isolation is double or reinforced.

💡 - Products with the possibility of instalation of low-energy consumption bulbs.

## PRODUCT FINISHES & COSTUMIZATION OPTIONS



MORE FINISHES AVAILABLE HERE:

[CLICK HERE](#) 