

**FLUSSO • TABLES**  
REF. FLUSSO.ROU

**WEIGHT**

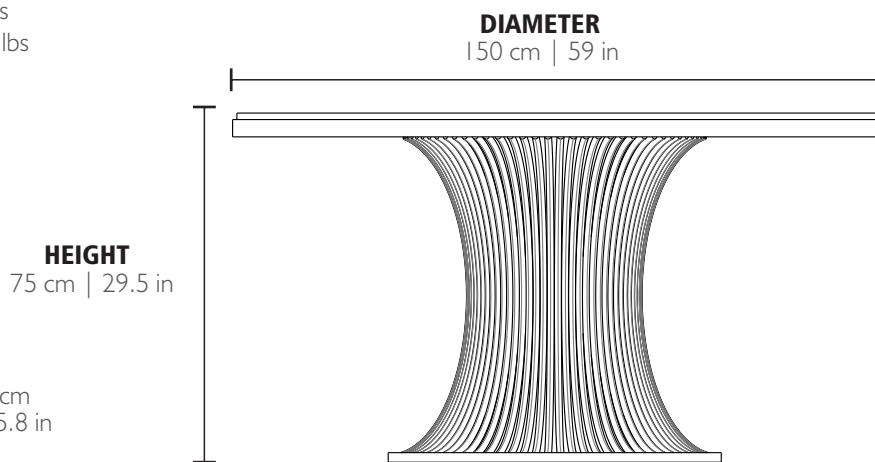
Net Weight: 120kg | 264.6 lbs  
Gross Weight: 214kg | 471.8 lbs

**MATERIALS**

Body: Brass  
Top: Marble | Wood  
Detail: Wood

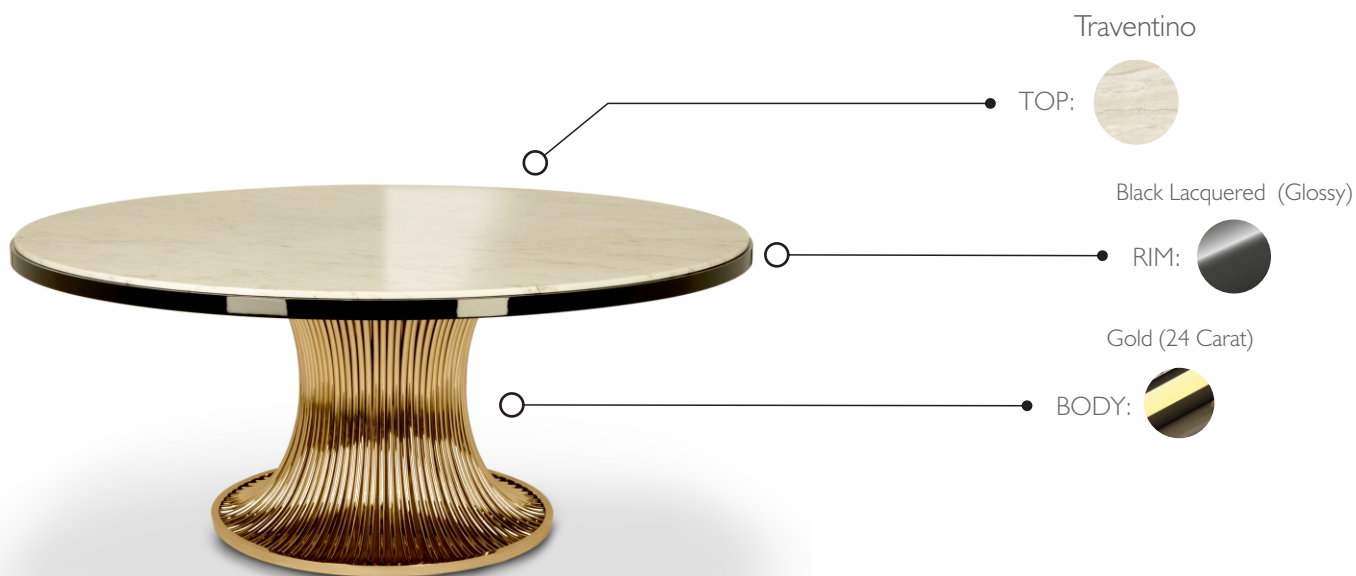
**PACKING** (approx.)

Dimensions: 166 x 166 x 91 cm  
65.4 x 65.4 x 35.8 in  
Volume: 2.51 m<sup>3</sup> | 88.55 ft<sup>3</sup>



- ☑ - Products manufactured according the European norm of security EN 60 598-1.
- ⚠ - Products adjusted for instalation in surfaces normally inflammable.
- ☑ - Products of class II. The electric isolation is double or reinforced.
- ⚡ - Products with the possibility of instalation of low-energy consumption bulbs.

PRODUCT FINISHES & COSTUMIZATION OPTIONS



MORE FINISHES AVAILABLE HERE:  
[CLICK HERE](#) 