

CHARLOTTE RING • TABLES

REF. CHARLOTTE.LAZ

WEIGHT

Net Weight: 130kg | 286.6 lbs
 Gross Weight: 224kg | 493.8 lbs

MATERIALS

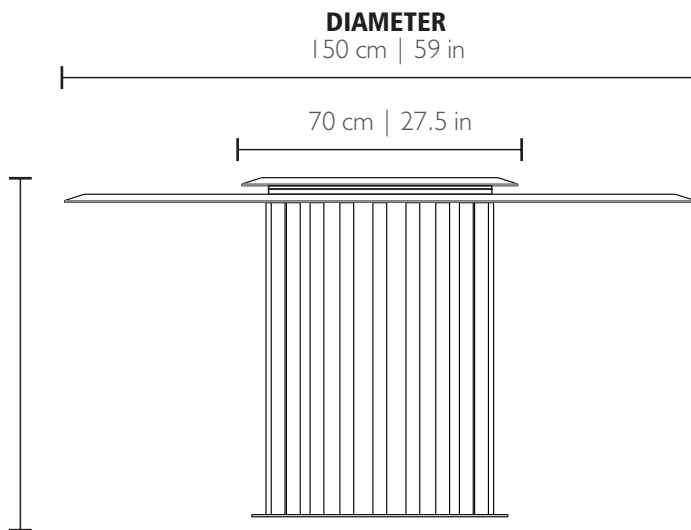
Body: Brass
 Top: Marble | Wood
 Table: Marble | Wood

HEIGHT
 76 cm | 30 in

PACKING (approx.)

Dimensions: 166 x 166 x 95 cm
 65.4 x 65.4 x 37.4 in

Volume: 2.62 m³ | 92.45 ft³



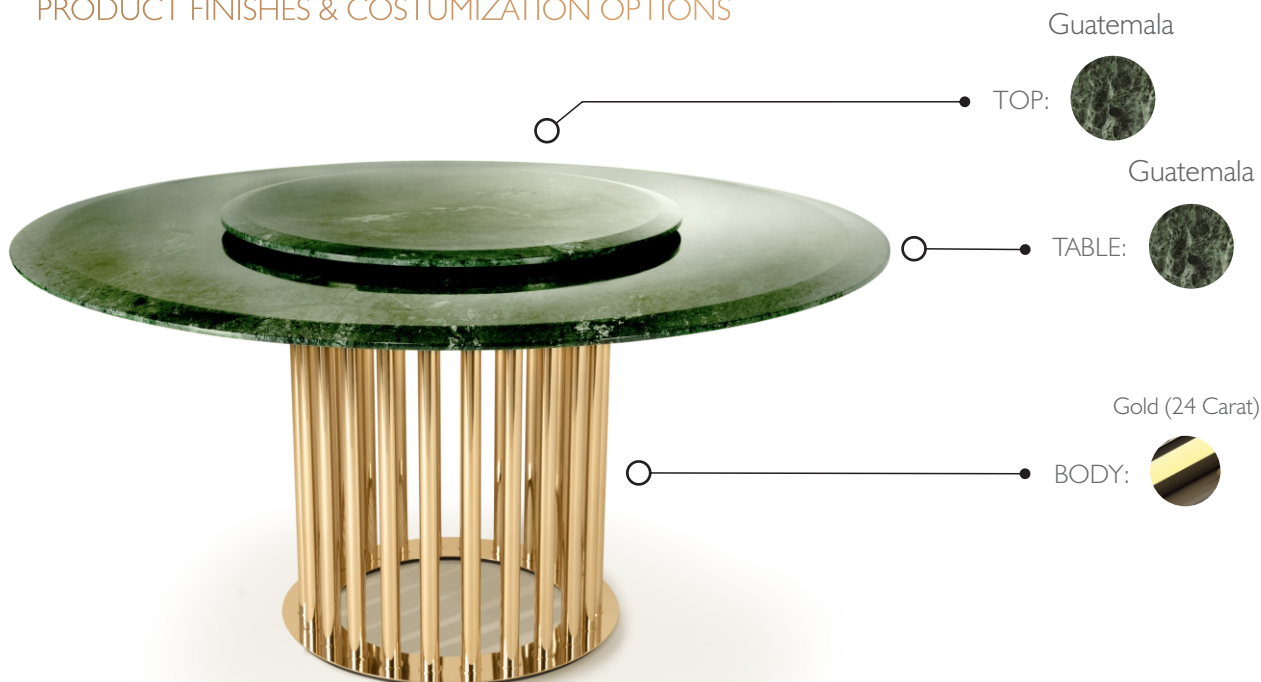
CE - Products manufactured according the European norm of security EN 60 598-1.

F - Products adjusted for instalation in surfaces normally inflammable.

□ - Products of class II. The electric isolation is double or reinforced.

ES - Products with the possibility of instalation of low-energy consumption bulbs.

PRODUCT FINISHES & COSTUMIZATION OPTIONS



MORE FINISHES AVAILABLE HERE:
[CLICK HERE](#)